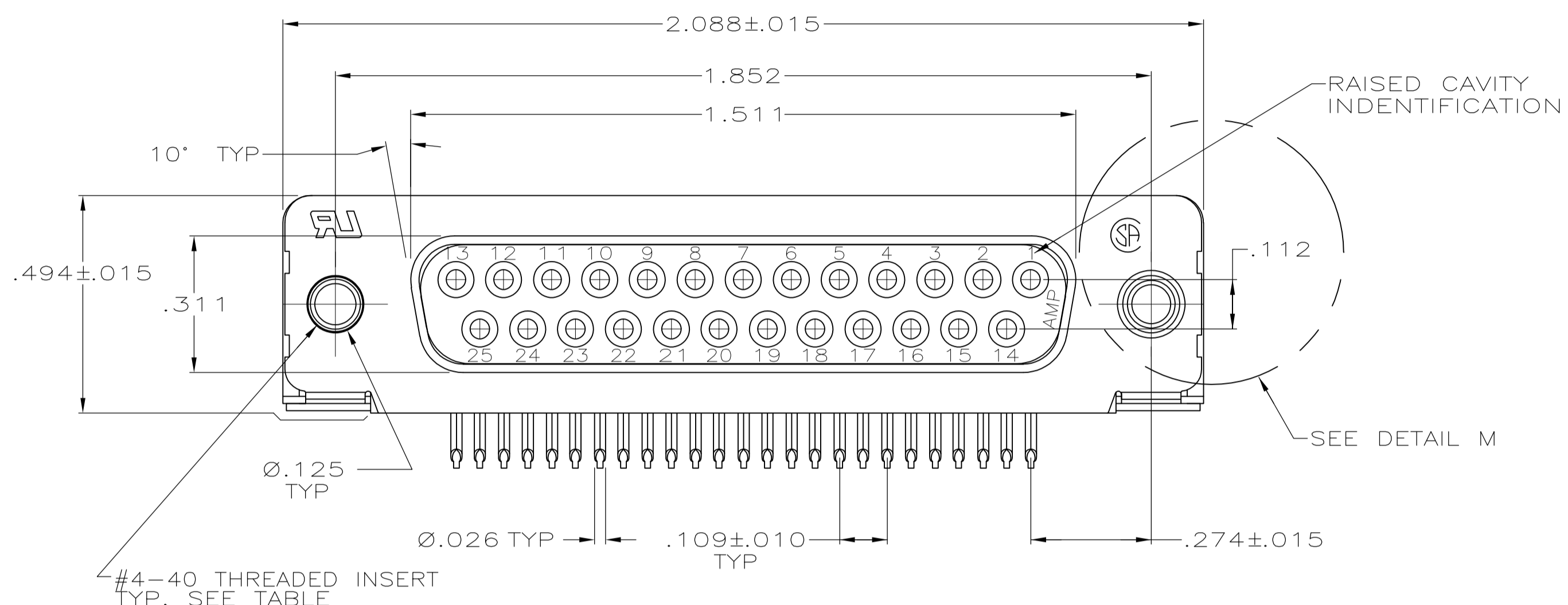
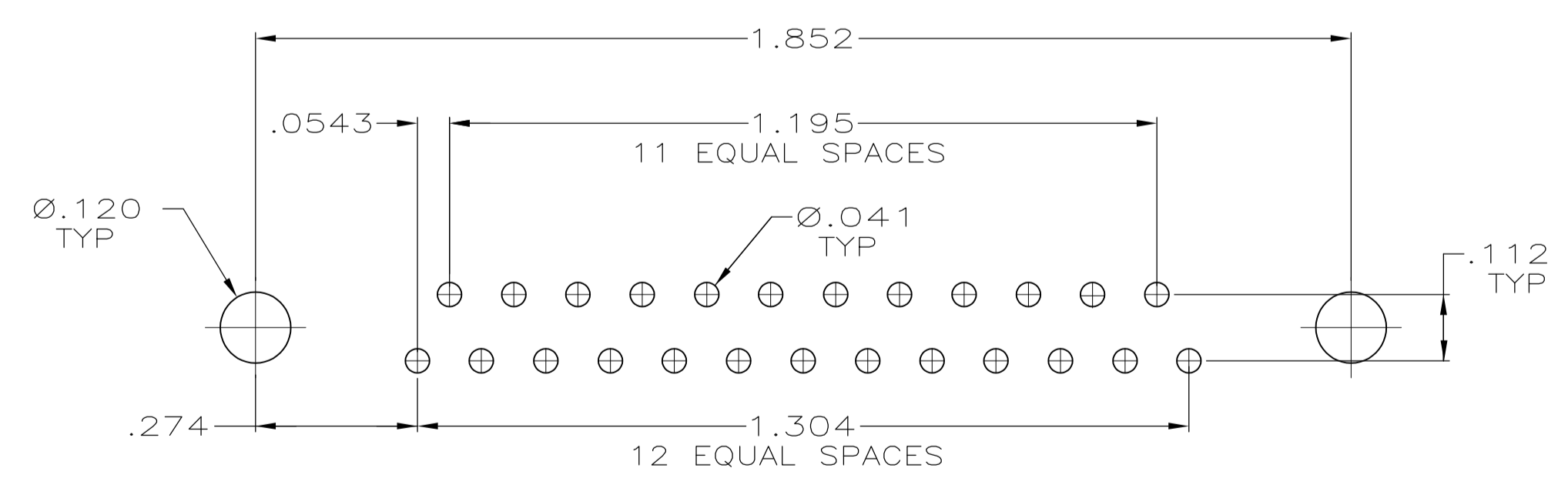
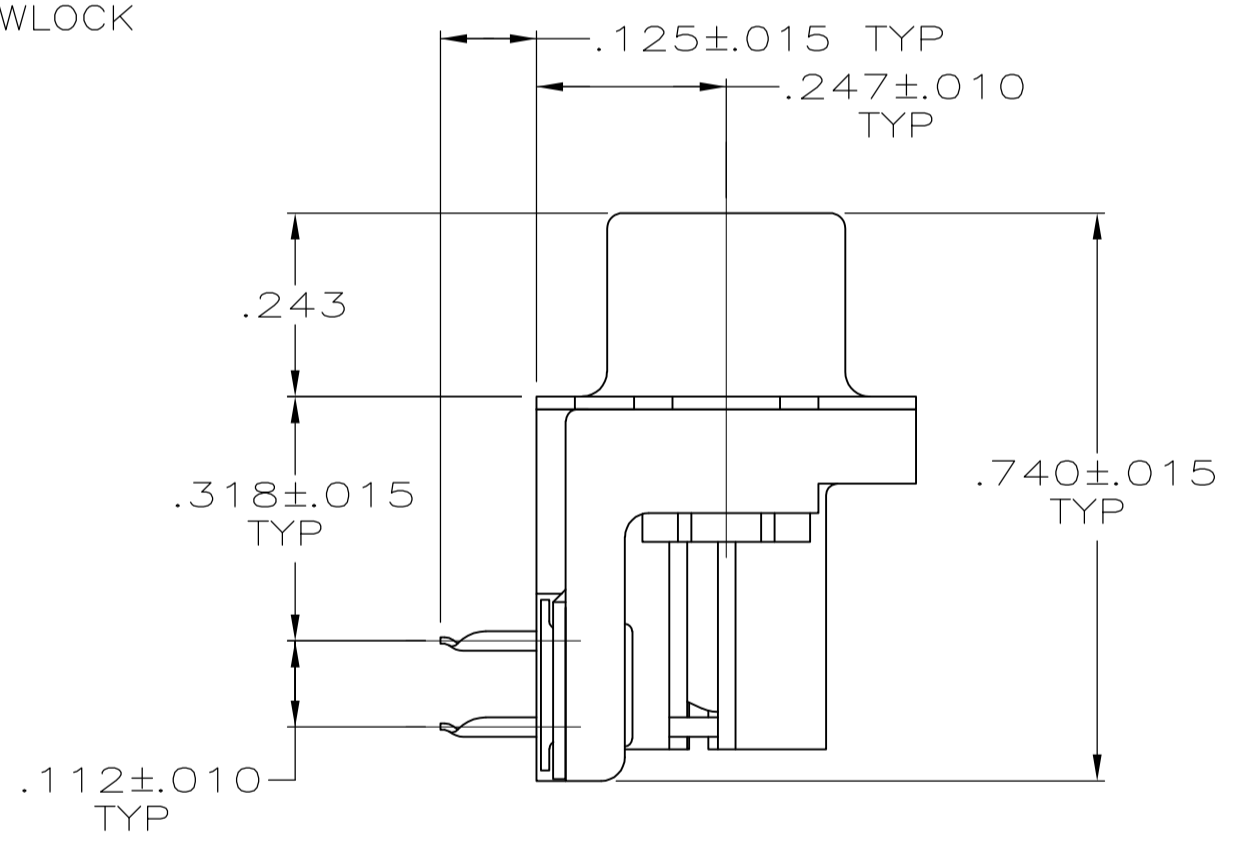
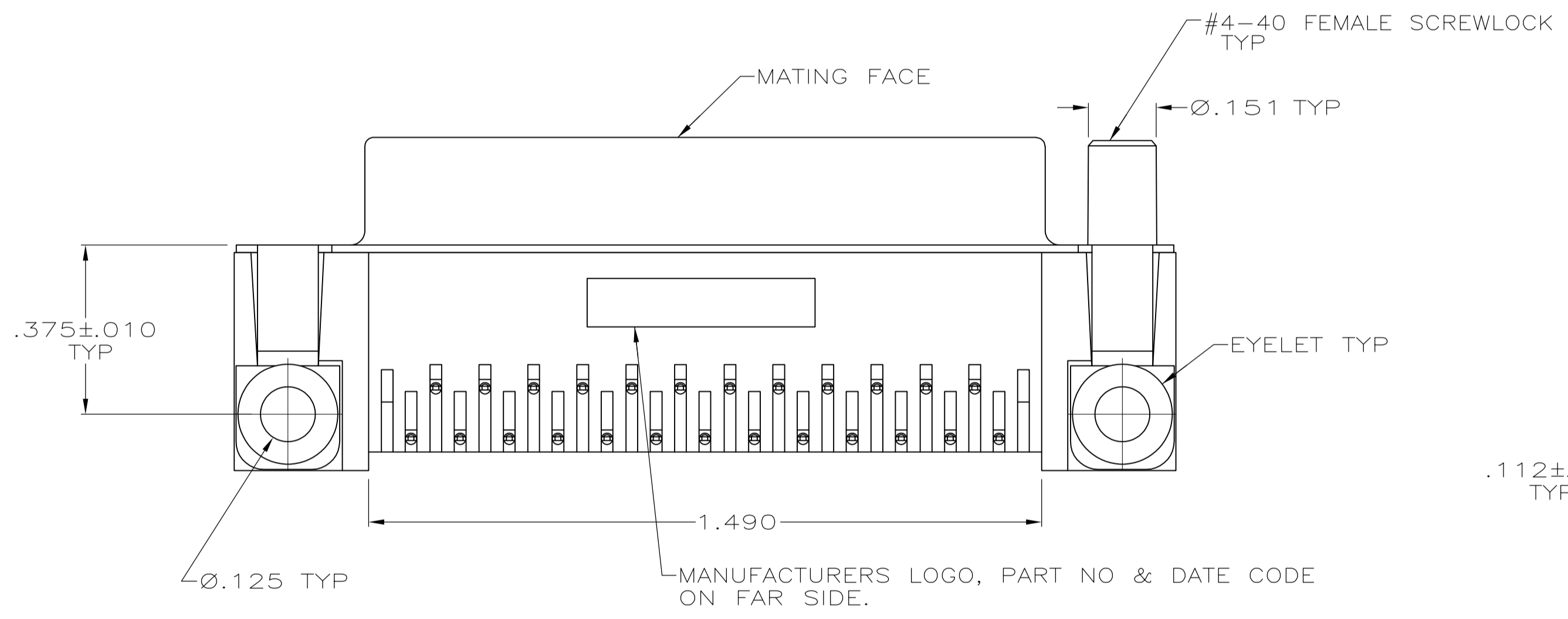


LOC		DIST		REVISIONS			
P	LTR	DESCRIPTION	DATE	DN	APVD		
P		REVISED PER ECO-11-004835	11MAR11	RK	HMR		



- 1 MOLDED PARTS: FLAME RETARDANT 94V-0 RATED THERMOPLASTIC, BLACK.  
SHELL: CARBON STEEL  
CONTACTS: PHOSPHOR BRONZE  
EYELETS: BRASS  
SCREWLOCKS: ZINC  
INSERTS: ZINC
- 2 SHELL: .000100 MIN TIN OVER .000050 MIN COPPER.  
CONTACTS: SEE TABLE  
EYELETS: .000100 MIN TIN OVER COPPER FLASH.  
SCREWLOCKS: CLEAR CHROMATE  
INSERTS: CLEAR CHROMATE
- 3 GOLD FLASH FOR A DISTANCE OF .100 MIN FROM MATING END, .000100 MIN TIN ON OPPOSITE END, ALL OVER .000050 MIN NICKEL.
- 4 .000030 MIN GOLD FOR A DISTANCE OF .100 MIN FROM MATING END, .000100 MIN TIN ON OPPOSITE END, ALL OVER .000050 MIN NICKEL.



RECOMMENDED P.C. BOARD MOUNTING DIMENSIONS

DETAIL M  
FOR -5 & -6 ONLY

FEMALE SCREWLOCKS	4	5745783-6
FEMALE SCREWLOCKS	3	5745783-5
THREADED INSERTS	4	5745783-4
THREADED INSERTS	3	5745783-3
NONE	4	5745783-2
MOUNTING HARDWARE	CONTACT FINISH	PART NUMBER

**COPYRIGHT 2005  
TE CONNECTIVITY CORP  
ALL RIGHTS RESERVED**

THIS DRAWING IS A CONTROLLED DOCUMENT.

DIMENSIONS: INCHES	TOLERANCES UNLESS OTHERWISE SPECIFIED:	0 PLC ± -	1 PLC ± -	2 PLC ± -	3 PLC ± .005	4 PLC ± -	ANGLES ± °
--------------------	--	-----------	-----------	-----------	--------------	-----------	------------

MATERIAL	FINISH	WEIGHT	SCALE	SHEET	REV
			4:1	1 of 1	P

**STE** TE Connectivity

APPROVED: A. FERNANDEZ-DOCKS	DATE: 04-06-05	NAME: RCPT ASSY, SIZE 3, 25 POSN, RTANG, AMPLITE HD-20, WITH METAL SHELL, WITH OR WITHOUT SCREWLOCKS OR INSERTS
CHK: S. BOLASH	DATE: 04-06-05	PRODUCT SPEC: 108-40025
APPROVED: M. WALMSLEY	DATE: 04-06-05	APPLICATION SPEC: 114-40010
CAGE CODE: 100779	DRAWING NO: 5745783	RESTRICTED TO: -
CUSTOMER DRAWING	SCALE: 4:1	SHEET: 1 of 1